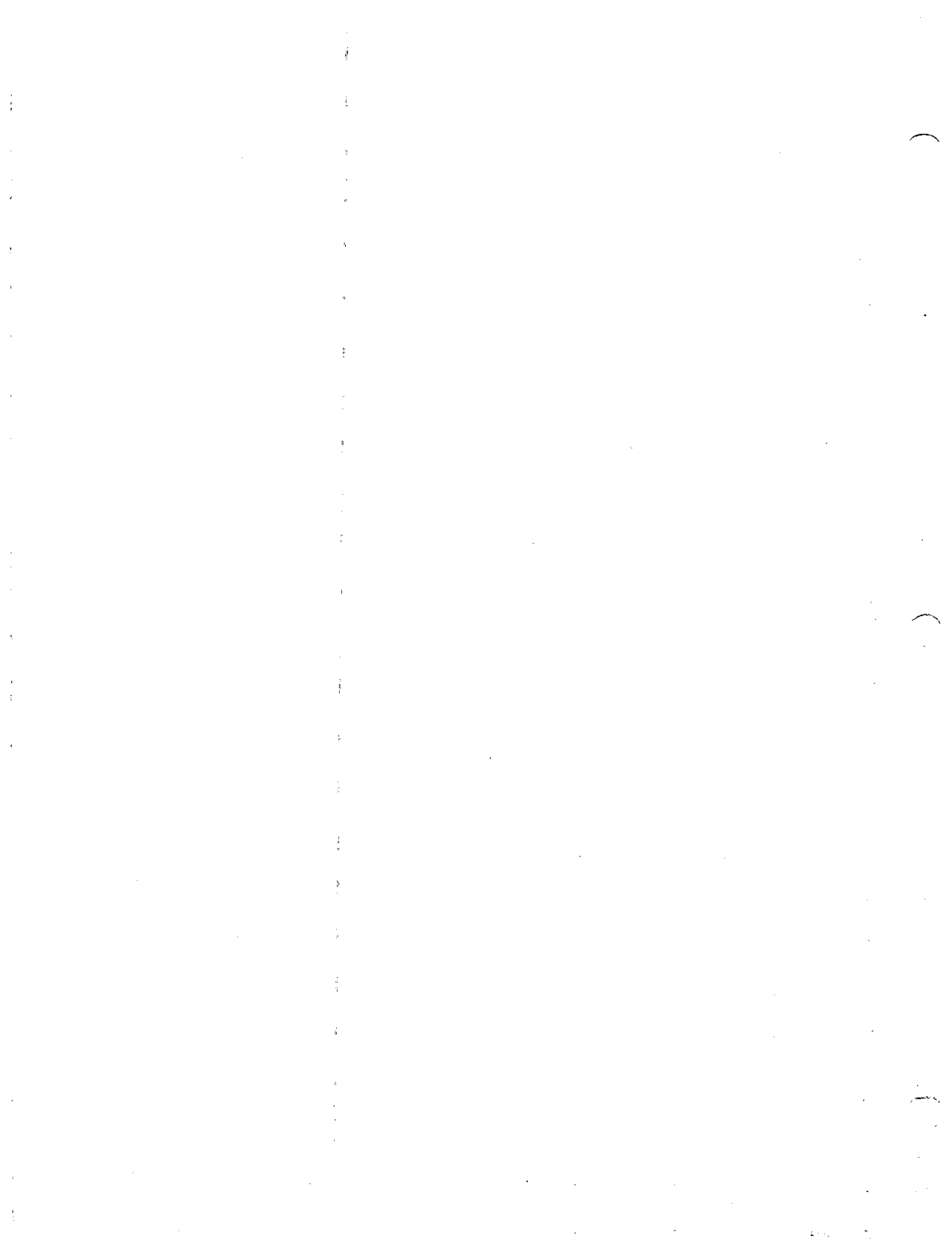


# MAIN GROUP

3

## TRANSMISSION

	Illustration
01 Transmission case (non-synchromesh and synchromesh transmission)	15
01 Transmission case (transmission fully synchronized)	16
01 Transmission case (Automatic)	A 16
07 Gears, Shafts (non-synchromesh transmission)	17
09 Gears, Shafts (synchromesh transmission)	18
11 Gears, Shafts (transmission fully synchronized)	19
11 Gears, Shafts (Automatic)	A 19
23 Torque converter (Automatic)	A 19
98 SP Sets	—



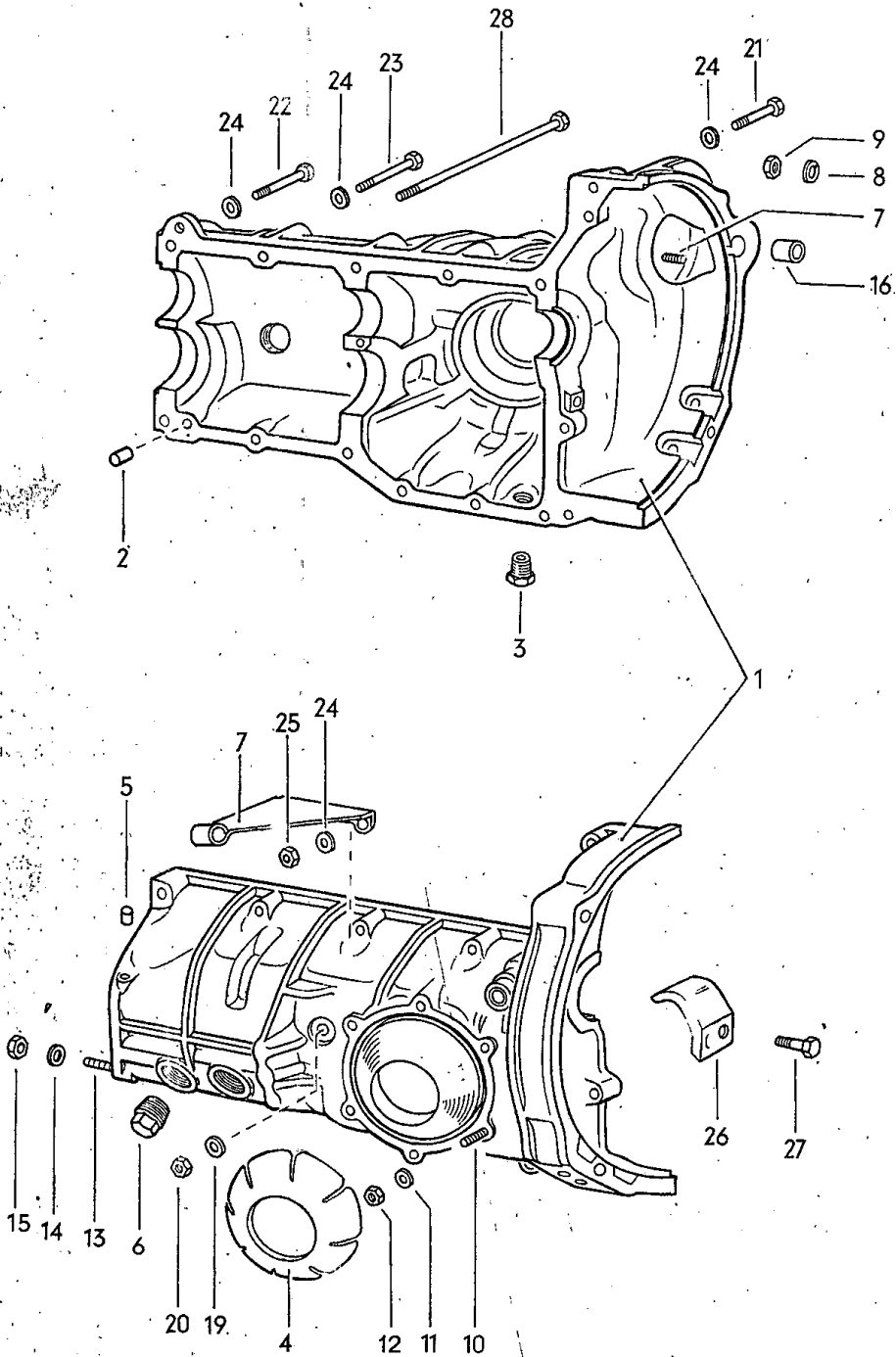
# MAIN GROUP

3

---

## TRANSMISSION

	Illustration
01 Transmission case (non-synchromesh and synchromesh transmission)	18
01 Gearshift housing, Securing parts for transmission (non-synchromesh and synchromesh transmission)	A 18
01 Transmission case (transmission fully synchronized)	19
01 Transmission case (Automatic)	A 19
07 Gears, Shafts (non-synchromesh transmission)	20
09 Gears, Shafts (synchromesh transmission)	21
11 Gears, Shafts (transmission fully synchronized)	22
11 Gears, Shafts (Automatic)	A 22
23 Torque converter (Automatic)	A 22
98 Repair Kits	—



Key No.	Part No.	Description	Quantity	Type and model
<b>TRANSMISSION CASE</b> (non-synchromesh and synchromesh transmisson)				
		up to Chassis No. 3 192 506		111-118, 141-144, 151, 152
		from Chassis No. 3 192 507 up to 115 247 527		111, 112, 115, 116
(1)	111 301 031	Transmission case ..... For installation in vehicles up to Chassis No. 1 - 397 022 the following parts are additionally required: 111 301 255 A Transmission carrier without strap 111 301 263 Bonded rubber mounting, rear	1	111, 112, 115, 116
1	113 301 031 B	Transmission case (synchromesh, needle bearings) up to Chassis No. 3 192 506 use: up to Chassis No. 1 726 005 113 309 101 B/125/219/2×223 A/261 A/515 B	1	113, 114, 117, 118, 141-144, 151, 152
2	111 101 111	Dowel pin 8×18 - Crankcase jointing faces .....	2	
3	111 101 199	Oil drain plug - Magnetic (oversize) .....	x	
4	113 301 111	Plastic packing between transmission case and rear axle tube from Chassis No. 2 078 055	2	
5	111 301 115	Retaining plug .....	1	
-	111 301 127	Oil filler plug M 38×1.5 .....	1	111-118, 151, 152
6	111 301 127 B	Oil filler plug M 24×1.5 .....	1	111, 112, 115, 116
			3	113, 114, 117, 118, 141-152
(6)	111 301 129 B	Oil filler plug M 24.5×1.5 (oversize) .....	x	
7	N 14 459 1	Stud BM 10 A×45 - Starting motor .....	1	
(7)	N 14 480 1	Stud CM 12×1.5 A/M 10×42 - Starting motor ...	x	
8	N 12 230 2	Spring washer B 10 DIN 137 galvanized .....	1	
9	N 11 010 4	Nuf, hex. M 10 .....	1	
10	N 14 532 1	Stud AM 8 A×32 - Axle tube retainer .....	12	

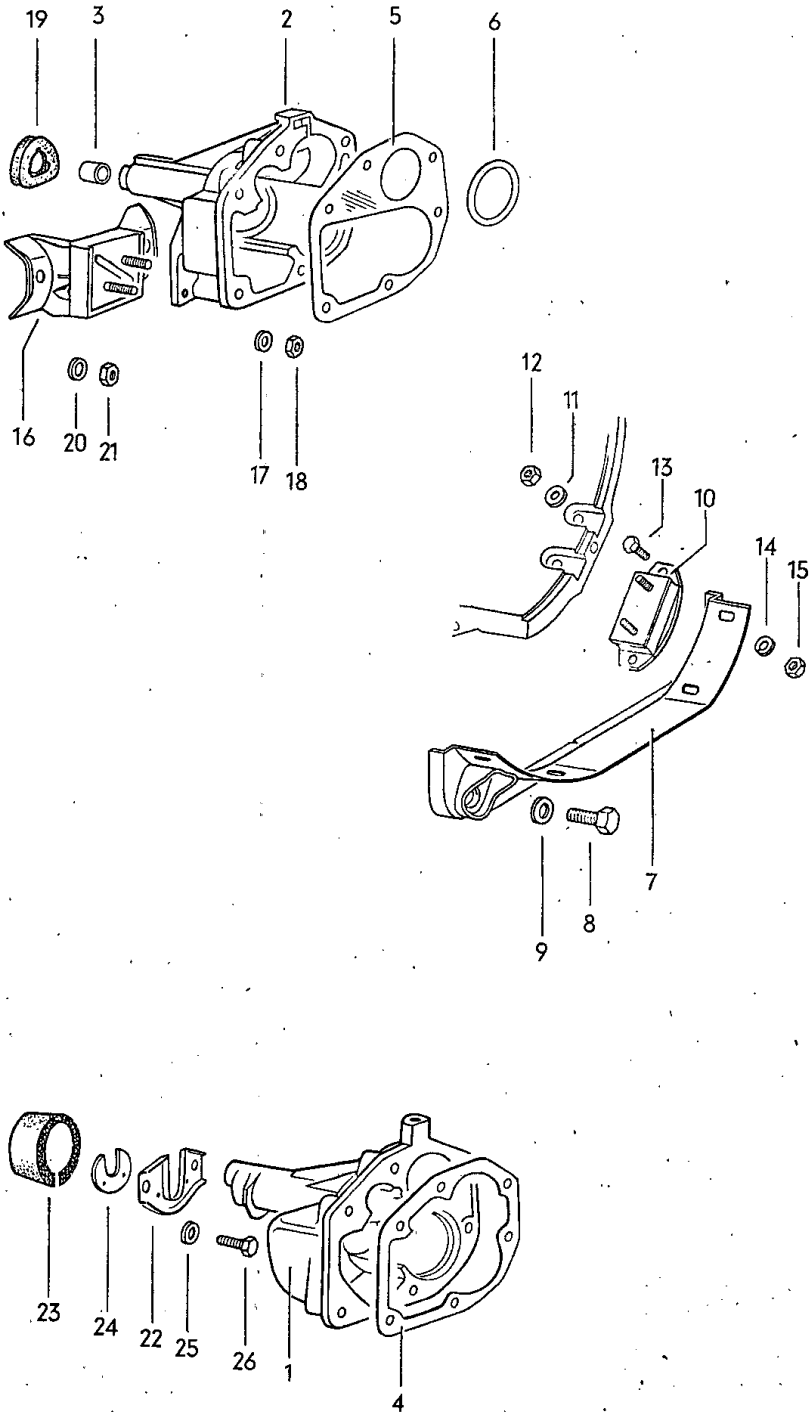


Key No.	Part No.	Description	Quantity	Type and model
(10)	N 14 561 2	Stud CM 10 A/M 8×30 – Axle tube retainer	x	
11	N 12 228 2	Spring washer B 8	12	
12	N 11 008 8	Nut, hex. M 8	12	
13	N 14 396 3	Stud AM A×50 – Gearshift housing	6	
(13)	N 14 406 1	Stud CM 10 A/M 8×46 – Gearshift housing	x	
(13)	N 14 566 1	Stud CM 10 A/M 8×51 – Gearshift housing	x	
14	N 11 654 2	Washer	6	
15	N 11 008 8	Nut, hex. M 8	6	
16	111 301 155	Bush – Starting motor shaft	1	
17	111 301 161	Bracket from Chassis No. 1 – 397 023 up to 3 192 506 from Chassis No. 3 192 507	1 1	111, 112, 115, 116

**TRANSMISSION CASE  
SECURING PARTS**

(18)	N 14 419 1	Stud AM A×112 up to Chassis No. 1 600 440	1	113, 114, 117, 118, 143, 151, 152
18	N 10 322 1	Bolt, hex. head BM 7×170	1	113, 114, 117, 118, 141-152
19	N 12 234 1	Spring washer B 7	1	113, 114, 117, 118, 141-152
20	N 11 037 1	Nut, hex. M 7	1	113, 114, 117, 118, 141-152
21	N 10 331 2	Bolt, hex. head BM 8×52	2	
22	N 10 775 1	Bolt, hex. head BM 8×75	10	
-	N 10 380 1	Bolt, hex. head BM 8×80 up to Chassis No. 1 600 440	2	111-118, 143, 151, 152

Key No.	Part No.	Description	Quantity	Type and model
23	N 10 390 1	Bolt, hex. head BM 8×95 .....	1	
24	N 12 228 2	Spring washer B 8 .....	26	
25	N 11 008 8	Nut, hex. M 8 .....	13	
26	111 301 351	Oil deflector .....	1	
27	N 10 242 5	Bolt, hex. head M 8×25 .....	1	



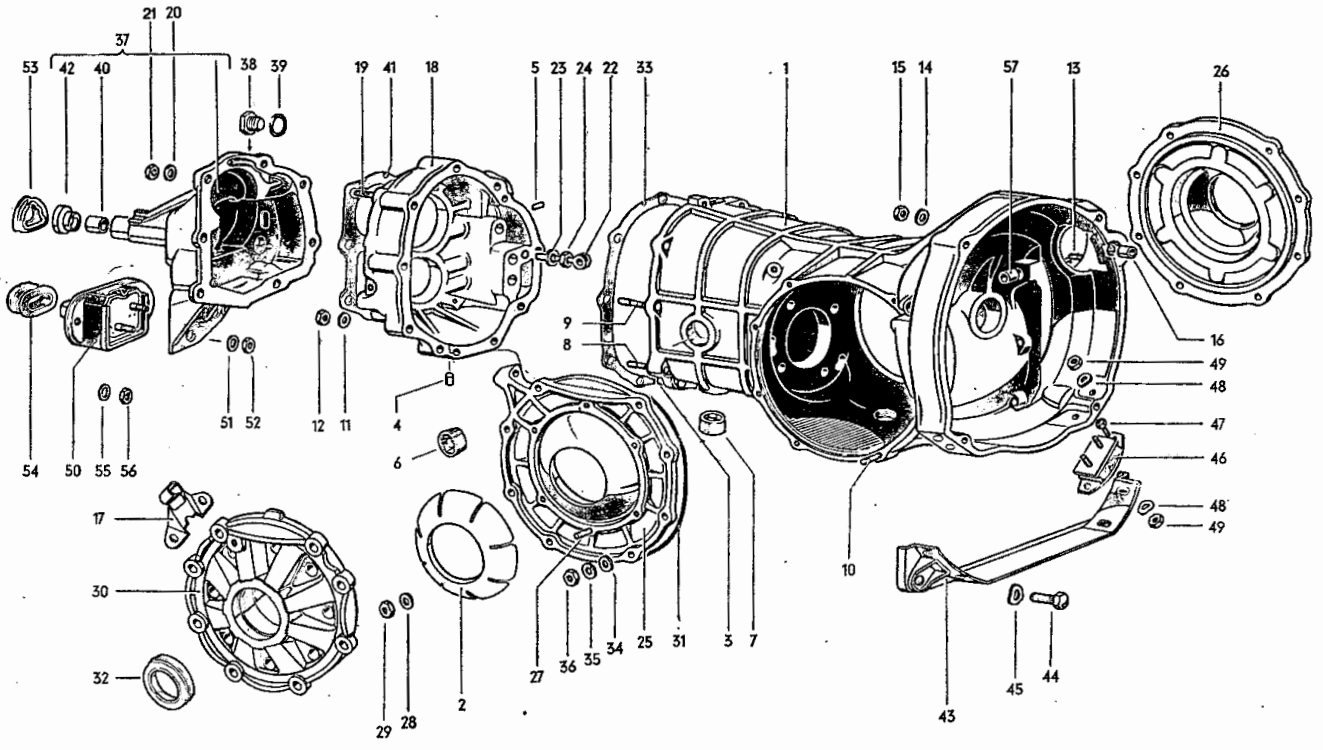


Key No.	Part No.	Description	Quantity	Type and model
<b>GEARSHIFT HOUSING, SECURING PARTS FOR TRANSMISSION</b> (non-synchromesh and synchromesh transmission)				
		up to Chassis No. 3 192 506		111-118, 141-144, 151, 152
		from Chassis No. 3 192 507 up to 115 247 527		111, 113, 115, 116
(1)	211 301 205 A	Gearshift housing ..... up to Chassis No. 1 - 397 022 (use 113 301 249 for non-synchromesh transmissions)	1	111-118, 151, 152
1	113 301 205	Gearshift housing ..... from Chassis No. 1 - 397 023 up to 2 528 667 (use 113 301 249 for non-synchromesh transmissions)	1	111-118, 141, 143, 151, 152; M 110
(2)	113 301 205 A	Gearshift housing ..... from Chassis No. 2 528 668 up to 3 192 506 (use 113 301 249 for non-synchromesh transmissions)	1	
2	113 301 205 C	Gearshift housing ..... from Chassis No. 3 192 507 (use 113 301 249 for non-synchromesh transmissions)	1	111, 112, 115, 116; M 110
3	111 301 207	Bush - Gearshift housing .....	2	
(3)	111 301 207 A	Bush - Gearshift housing ..... (oversize, length 75 mm)	x	
4	111 301 215	Gasket 0.1 mm - Gearshift housing .....	x	111, 112, 115, 116
5	*113 301 215	Gasket 0.1 mm - Gearshift housing .....	x	113, 114, 117, 118, 141-152
(4)	111 301 217	Gasket 0.15 mm - Gearshift housing .....	x	111, 112, 115, 116
(5)	*113 301 217	Gasket 0.15 mm - Gearshift housing .....	x	113, 114, 117, 118, 141-152
(4)	111 301 219	Gasket 0.2 mm - Gearshift housing .....	x	111, 112, 115, 116
(5)	*113 301 219	Gasket 0.2 mm - Gearshift housing .....	x	113, 114, 117, 118, 141-152
6	*113 301 235	Gasket 0.1 mm ..... between transmission and gearshift housing	x	113, 114, 117, 118, 141-152

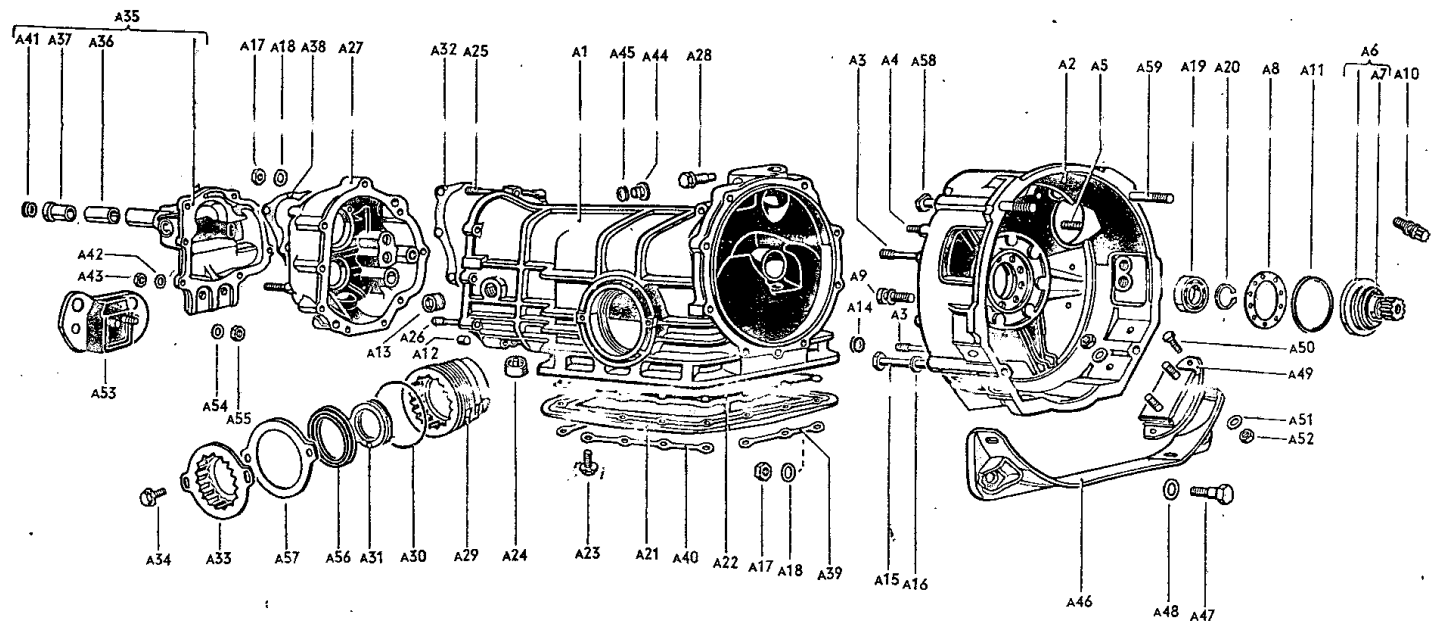


Key No.	Part No.	Description	Quantity	Type and model
(6)	*113 301 237	Gasket 0.2 mm ..... between transmission and gearshift housing	x	113, 114, 117, 118, 141-152
(6)	*113 301 239	Gasket 0.3 mm ..... between transmission and gearshift housing	x	113, 114, 117, 118, 141-152
-	113 301 249	Shim 7 mm - Gearshift housing ..... up to Chassis No. 1 - 481 712 from Chassis No. 1 - 481 713	1 1	111-118, 151, 152 111, 112, 115, 116
-	N 11 655 2	Washer 11.5 .....	2	
-	N 11 010 4	Nut, hex. M 10 .....	2	
7	111 301 255 A	Transmission carrier ..... from Chassis No. 1 - 397 023	1	
(7)	111 301 255 B	Transmission carrier ..... (see Technical Bulletin R 1)	1	
8	111 301 257	Bolt - Transmission carrier .....	2	
9	N 12 240 1	Spring washer B 20 .....	2	
(10)	111 301 263	Bonded rubber mounting, rear ..... from Chassis No. 1 - 397 023 up to 3 192 506	2	
(10)	111 301 263 B	Bonded rubber mounting, rear ..... from Chassis No. 3 192 507	2	M 105: 111, 112, 115, 116
10	113 301 263	Bonded rubber mounting, rear ..... from Chassis No. 3 192 507	2	111, 112, 115, 116
11	N 12 228 2	Spring washer B 8 .....	4	
12	N 11 008 8	Nut, hex. M 8 .....	4	
13	N 10 238 7	Bolt, hex. head M 8x15 .....	4	
14	N 12 228 2	Spring washer B 8 .....	4	
15	N 11 008 8	Nut, hex. M 8 .....	4	
(16)	111 301 265	Bonded rubber mounting, front ..... from Chassis No. 1 - 397 023 up to 2 528 667 from Chassis No. 3 192 507	1	
16	111 301 265 C	Bonded rubber mounting, front ..... (Shore hardness 60) from Chassis No. 2 528 668 up to 3 192 506	1	

Key No.	Part No.	Description	Quantity	Type and model
17	N 12 228 2	Spring washer B 8 .....	2	
18	N 11 008 8	Nut, hex. M 8 .....	2	
19	111 301 289 B	Gasket between gearshift housing and frame from Chassis No. 1 - 397 023 .....	1	
20	N 12 230 2	Spring washer B 10 .....	2	
21	N 11 010 4	Nut, hex. M 10 .....	2	
22	211 301 293	Plate - Rubber mounting up to Chassis No. 1 - 397 022 .....	1	111-118, 151, 152
23	211 301 297	Rubber mounting up to Chassis No. 1 - 397 022 .....	1	111-118, 151, 152
(23)	211 301 297 A	Rubber mounting oversize up to Chassis No. 1 - 397 022 .....	x	111-118, 151, 152
24	211 301 299	Shim - Rubber mounting up to Chassis No. 1 - 397 022 .....	x	111-118, 151, 152
25	N 11 655 2	Washer 11.5 .....	2	
26	N 10 253 2	Bolt, hex. head M 10x22 .....	2	
-	N 12 790 1	Dowel pin, self-locking 3x12 .....	1	







Key No.	Part No.	Description	Quantity	Type and model
<b>TRANSMISSION</b> <b>(fully synchronized transmission and Automatic)</b>				
-	001 300 043 M	Transmission - Automatic without torque converter up to Chassis No. 110 3100 000 from Chassis No. 111 2000 001	1 1	M 9 M 9/M 52/M 610: 111, 112, 115, 116; M 1/M 9/M 87: 113, 114, 117, 118; M 9/M 87: 113, 114, 117, 118, 151, 152
-	001 300 043 H	Transmission - Automatic without torque converter from Chassis No. 111 2000 001	1	M 9: 113, 114, 117, 118, 141-144, 151, 152
-	113 300 043 D	Transmission assy. .... for flywheel with 109 teeth (ratio 8 : 35) from Chassis No. 3 192 507 up to 115 247 528  from Chassis No. 115 247 529 up to 116 350 065 from Chassis No. 116 350 066 up to 116 1021 300 (up to Chassis No. 4 173 000 use also 311 301 265)	1  1 1	113, 114, 117, 118, 141-144, 151, 152  111-118, 151, 152
-	133 300 043	Transmission assy. .... (ratio 8 : 33) from Chassis No. February 1972	1	113, 114, 117, 118, 151, 152; M 1/M 4
-	141 300 043 T	Transmission assy. .... (ratio 8 : 31) from Chassis No. 111 2000 001 up to January 1972 replace: up to Chassis No. 111 3200 000 111 141 719 C by 361 141 719	1	141-144
-	141 300 043 S	Transmission assy. .... (ratio 8 : 31) from Chassis No. February 1972	1	141-144
-	361 300 043	Transmission assy. .... (ratio 8 : 33) from Chassis No. 117 000 001 up to 110 3100 000  from Chassis No. 111 2000 001 up to January 1972 replace: 311 301 265 E by 311 301 265 B 311 311 541 by 113 311 541 A  use: for Model 113, 114, 117, 118, 141-144, 151, 152 311 141 025 D	1  1	113, 114, 117, 118, 141-144, 151, 152 M 110
-	361 300 043 A	Transmission assy. .... (ratio 8 : 33) from Chassis No. February 1972	1	M 110



Key No.	Part No.	Description	Quantity	Type and model
-	111 300 044 A	Transmission assy. .... (ratio 8 : 35) from Chassis No. 146 350 066 up to 146 1021 300 from Chassis No. 117 000 001 up to 110 3100 000 from Chassis No. 117 000 001 up to January 1972 from Chassis No. 111 2000 001 up to January 1972 replace: up to Chassis No. 110 3100 000 for Model 113, 114, 117, 118, 151, 152 up to Chassis No. 111 3200 000 for Model 111, 112, 115, 116 111 141 719 C by 361 141 719 use: for Model 111, 112, 115, 116 111 141 025 H	1 1 1 1	141-144 M 87, M 88 111, 112, 115, 116; M 52 M 1/M 87; M 1/M 88
-	111 300 044 B	Transmission assy. .... (ratio 8 : 35) from Chassis No. February 1972	1	111, 112, 115, 116; M 52, M 1/M 87, M 1/M 88
-	113 300 044	Transmission assy. .... (ratio 8 : 35) from Chassis No. 111 2000 001 up to January 1972  replace: up to Chassis No. 111 3200 000 111 141 719 C by 361 141 719	1	M 87, M 88, M 1/M 4/M 88
-	113 300 044 A	Transmission assy. .... (ratio 8 : 35) from Chassis No. February 1972	1	M 87, M 88, M 1/M 4/M 88
-	113 300 044 B	Transmission assy. .... (ratio 8 : 33) from Chassis No. 119 000 001 up to 110 3100 000 from Chassis No. 111 2000 001 up to January 1972  use: up to Chassis No. 110 3100 000 311 141 025 D replace: 311 301 265 E by 311 301 265 B 311 311 541 by 113 301 541 A and up to Chassis No. 111 3200 000 111 141 719 C by 361 141 719	1 1	M 4 113, 114, 117, 118, 151, 152; M 1/M 4
-	141 300 044 B	Transmission assy. .... (ratio 8 : 31) from Chassis No. 111 2000 001 up to January 1972 replace: up to Chassis No. 111 3200 000 111 141 719 C by 361 141 719	1	M 4: 141-144
-	141 300 044 C	Transmission assy. .... (ratio 8 : 31) from Chassis No. February 1972	1	M 4: 141-144



Key No.	Part No.	Description	Quantity	Type and model
<b>TRANSMISSION CASE</b> <b>(fully synchronized transmission and Automatic)</b>				
		from Chassis No. 3 192 507 up to 115 247 528		113, 114, 117, 118, 141-144, 151, 152
		from Chassis No. 115 247 529		111-118, 141-144, 151, 152
		from Chassis No. 118 071 440		M 9: 113, 114, 117, 118, 141-144, 151, 152
		from Chassis No. 119 000 001		M 9/M 87: 113, 114, 117, 118, 151, 152
		from Chassis No. 110 2000 001		M 9/M 52: 111, 112, 115, 116
A 1	001 301 031 A	Transmission case ..... from Chassis No. 110 2000 001 up to 111 2250 395 use: up to Chassis No. 119 1200 000 001 311 125/127 A/002 311 219 A/223/ 001 311 391-399	1	M 9
-	001 301 031 B	Transmission case ..... from Chassis No. 111 2250 396	1	M 9
-	111 301 051 D	Transmission case ..... for flywheel with 130 teeth from Chassis No. 146 350 066 up to 146 1021 300 from Chassis No. 117 000 001 up to January 1972 use: from Chassis No. 146 350 066 up to 146 1021 300; from Chassis No. 117 000 001 up to 110 3100 000; 001 311 125/127 A, 002 311 219 A/223, 001 311 391 - 399	1 1	141-144
-	111 301 051 E	Transmission case ..... for flywheel with 130 teeth from Chassis No. February 1972 (see Workshop Bulletin 3-8 January 1972)	1	
-	N 14 448 1	Stud AM 7 A X 22 ..... from Chassis No. 111 2000 001	3	
1	113 301 051 M	Transmission case ..... for flywheel with 109 teeth up to Chassis No. 116 350 065 from Chassis No. 116 350 066 up to 116 1021 300 from Chassis No. 117 000 001 up to 117 999 000 use: 001 311 125/127 A/002 311 219 A/223/ 001 311 391-399	1 1 1	111-118, 151, 152; M 5: 141-144 M 5: 111-118

Key No.	Part No.	Description	Quantity	Type and model
A 2	001 301 071 B	Housing - Torque converter	1	M 9
A 3	N 14 427 6	Stud AM 8 A X 53	8	M 9
A 4	N 14 398 3	Stud AM 8 A X 27	1	M 9
A 5	N 14 503 1	Stud AM 10 A X 42	1	M 9
-	001 301 083	Seal - One-way clutch support up to Chassis No. 110 2385 383	1	M 9
A 6	001 301 085 A	One-way clutch support without gasket use: up to Chassis No. 110 2385 383; 001 301 083	1	M 9
A 7	001 301 083 A	Seal - One-way clutch from Chassis No. 110 2385 384	1	M 9
A 8	001 301 087	Gasket - One-way clutch support	1	M 9
A 9	001 301 089	Screw - One-way clutch support	8	M 9
A 10	001 301 095 A	Bolt, hex. head M 8	4	M 9
A 11	001 301 099	Seal 1.5 mm - One-way clutch support	1	M 9
2	113 301 111	Plastic packing between final drive cover and rear axle tube up to Chassis No. 110 3100 000 from Chassis No. 111 2000 001	2 2	111, 112, 115, 116, 141-144; M 1
3/A 12	113 301 113	Dowel pin - Gear carrier	2	
4	111 301 115	Retaining plug	1	
5	113 311 599	Retaining plug - Defent ball	3	
-	113 301 123	Oil filler plug M 24 X 1.5	1	M 220
6/A 13	111 301 127 B	Oil filler plug M 24 X 1.5	1	
-	111 301 129 B	Oil filler plug 24.5 X 1.5 (cote plus forte)	x	

Key No.	Part No.	Description	Quantity	Type and model
A 14	001 301 131	Seal, lower between torque converter and transmission case	2	M 9
A 15	N 10 496 1	Bolt, hex. head M 10×120	2	M 9
A 16	N 12 230 2	Spring washer B 10	2	M 9
A 17	N 11 008 8	Nut, hex. M 8	8	M 9
A 18	N 12 241 2	Spring washer B 8×15	8	M 9
A 19	001 301 133	Ball bearing – Clutch carrier plate	1	M 9
A 20	N 12 420 1	Lockring 20×1.2	1	M 9
A 21	001 301 067	Pan lower – Transmission case use: up to Chassis No. 111 3115 294; 111 201 195/197	1	M 9
-	001 301 137 A	Seal – Clutch carrier plate (see illustration A 9)	1	M 9
A 22	001 301 139	Gasket – Pan up to Chassis No. 111 3115 294	1	M 9
-	001 301 139 A	Gasket – Pan from Chassis No. 111 3115 295	1	M 9
A 23	001 301 199	Bolt, hex. head M 7×1.25×18.5 up to Chassis No. 111 3115 294 from Chassis No. 111 3115 295 use: up to Chassis No. 111 3115 294; 2 pieces 001 301 217/219	13 14	M 9 M 9
7/A 24	113 301 141	Oil drain plug M 24×1.5 – Magnetic from Chassis No. 118 071 440	× 1	M 9
-	111 201 195	Seal – Plug from Chassis No. 111 3115 295	1	M 9
-	111 201 197	Plug from Chassis No. 111 3115 295	1	M 9
-	113 301 143	Oil drain plug M 24.5×1.5 – Magnetic (oversize)	×	

Key No.	Part No.	Description	Quantity	Type and model
8	N 14 396 3	Stud AM 8 A×50 – Gear carrier .....	4	
-	N 14 484 5	Stud CM 10 A/M 8×48 – Gear carrier .....	x	
9/A 25	N 14 407 1	Stud AM 8 A×62 – Gear carrier .....	5	
A'26	N 14 428 3	Stud AM 8 A×48 .....	4	
		up to Chassis No. 111 3200 000	3	
		from Chassis No. 112 2000 001		
-	N 14 408 2	Stud CM 10 A/M 8×62 – Gear carrier .....	x	
10	N 14 395 9	Stud AM 8 A×42 – Final drive cover .....	16	
-	N 14 560 1	Stud CM 10 A/M 8×42 – Final drive cover .....	x	
11	N 12 241 2	Spring washer B 8×15 .....	9	
12	N 11 008 8	Nut, hex. M 8 .....	9	
13	N 14 459 1	Stud BM 10 A×45 – Starting motor .....	1	
-	N 14 480 1	Stud CM 12×1.5 A/M 10×42 – Starting motor ... (oversize)	x	
14	N 12 230 2	Spring washer B 10 .....	2	
15	N 11 010 4	Nut, hex. M 10 .....	2	
-	111 301 155	Bush – Starting motor shaft .....	1	
		up to Chassis No. 116 350 065	1	
		from Chassis No. 116 350 066 up to 116 1021 300	1	111-118, 151, 152
16	113 301 155	Bush – Starting motor shaft .....	1	141-144
		from Chassis No. 146 350 066 up to 146 1021 300	1	
		from Chassis No. 117 000 001	1	
17	113 301 165	* Guide plate – Clutch cable .....	1	M 4
		from Chassis No. 119 000 001 up to 110 3100 000	1	M 4: 141-144;
		from Chassis No. 111 2000 001	1	113, 114, 117, 118,
		up to September 1971		151, 152
	113 301 165 A	Guide plate – Clutch cable .....	1	111-118, 141-144, 151, 152
		from Chassis No. October 1971		

Key No.	Part No.	Description	Quantity	Type and model
18	113 301 169	Gear carrier	1	
19	N 14 449 1	Stud AM 7 A×32 - Gearshift housing	7	
-	N 14 492 1	Stud CM 10 A/M 7×32 - Gearshift housing	X	
20	N 12 234 1	Spring washer B 7	7	
21	N 11 007 1	Nut, hex. M 7	7	
A 27	001 301 171	Bearing carrier	1	M 9
-	113 101 118 D	Plug 14.2 mm dia.	2	M 9
A 28	113 311 141	Lock bolt for bearing bush, operating shaft	1	M 9
22	113 301 177	Support - Reverse lever	1	
23	N 12 242 1	Spring washer B 10	1	
24	N 11 134 2	Nut, hex. M 10	1	
-	113 301 179 D	Final driver cover, left up to Chassis No. 115 685 586 from Chassis No. 115 685 587 up to 117 999 000	1 1	M 5
25	113 301 179 C	Final drive cover, left from Chassis No. 115 685 587 up to 110 3100 000 from Chassis No. 111 2000 001	1 1	111, 112, 115, 116, 141-144; M 1
26	113 301 180 C	Final drive cover, right from Chassis No. 115 685 587 up to 110 3100 000 from Chassis No. 111 2000 001	1 1	111, 112, 115, 116, 141-144; M 1
-	113 301 180 D	Final drive cover, right up to Chassis No. 115 685 586 from Chassis No. 115 685 587 up to 117 999 000	1 1	M 5
27	N 14 398 3	Stud AM 8 A×27 - Axle tube retainer	12	
-	N 14 482 1	Stud CM 10 A/M 8×27 - Axle tube retainer (oversize)	X	

Key No.	Part No.	Description	Quantity	Type and model
28	N 12 241 2	Spring washer B 8X15 up to Chassis No. 110 3100 000 from Chassis No. 111 2000 001	12 12	111, 112, 115, 146, 141-144; M 1
29	N 11 008 8	Nut, hex. M 8 up to Chassis No. 110 3100 000 from Chassis No. 111 2000 001	12 12	111, 112, 115, 116, 141-144; M 1
A 29	004 301 183	Bearing ring - Differential	2	M 9
30	113 301 183 F	* Final drive cover from Chassis No. 119 000 001 up to 110 3100 000 from Chassis No. 111 2000 001	2 2	M 4 M 4: 141-144; 113, 114, 117, 118, 151, 152
A 30	004 301 185	Seal - Bearing ring	2	M 9
-	*113 301 185	Gasket - Final drive cover up to Chassis No. 115 685 586 from Chassis No. 115 685 587 up to 117 999 000	2 2	M 5
31	*113 301 185 A	Sealing ring - Final drive cover from Chassis No. 115 685 587 up to 110 3100 000 from Chassis No. 111 2000 001 from Chassis No. 112 2000 001	2 2 2	111, 112, 115, 116, 141-144; M 1 113, 114, 117, 118, 151, 152
32/A 31	*113 301 189 A	* Seal - Joint flange from Chassis No. 118 071 440 from Chassis No. 119 000 001 up to 110 3100 000 from Chassis No. 111 2000 001	2 2 2	M 9 M 4 M 4: 141-144; 113, 114, 117, 118, 151, 152
33/A 32	*113 301 191	Gasket - Gear carrier	1	
34	113 301 193	Washer 8.2X18	16 14	111, 112, 115, 116, 141-144 113, 114, 117, 118, 151, 152
35	N 12 038 1	Spring washer B	16	
-	113 301 195	Washer - Lock plate	4	M 9
36	N 11 008 8	Nut, hex. M 8	16	
A 33	004 301 197	Lock plate - Bearing ring up to Chassis No. 111 3200 000	2	M 9

Key No.	Part No.	Description	Quantity	Type and model
(A 33)	004 301 197 A	Lock plate - Bearing ring from Chassis No. 112 2000 001	2	M 9
A 34	N 90 134 1	Screw, fillister head M 7×1.35×16.5	4	M 9
A 35	001 301 205	Gearshift housing	1	M 9
37	113 301 205 G	Gearshift housing use: up to Chassis No. 4 173 000 311 301 265..	1	
(37)	311 301 205 B	Gearshift housing from Chassis No. 112 2360 221	1	M 185: 113, 117, 151
38	113 301 229 A	Plug M 18×1.5	1	
39	N 13 816 1	Gasket A 18×24	1	
A 36	001 301 207	Bush rear - Gearshift housing from Chassis No. 118 071 440 up to 119 314 499 from Chassis No. 119 314 500	1 1	M 9
40	111 301 207	Bush - Gearshift housing up to Chassis No. 119 314 499	2	
A 37	001 301 209	Bush front - Gearshift housing from Chassis No. 118 071 440 up to 119 314 499 from Chassis No. 119 314 500	1 1	M 9
41/A 38	*211 301 215	Gasket - Gearshift housing	1	
A 39	001 301 217	Reinforcement plate - Pan 001 301 067	2	M 9
A 40	001 301 219	Reinforcement plate - Pan 001 301 067	2	M 9
42	131 301 225 A	Gasket - Transmission shift lever, inner up to Chassis No. 119 314 499	1	
A 41	001 301 227	Seal - Transmission shift lever, inner from Chassis No. 118 071 440 up to 119 314 499 from Chassis No. 119 314 500	1 1	M 9
A 42	N 12 234 1	Spring washer B 7	7	M 9
A 43	N 11 007 1	Nut, hex. M 7	7	M 9
A 44	001 301 229	Plug M 14×1.5	1	M 9
A 45	N 13 814 2	Gasket A, 14×18	1	M 9

Key No.	Part No.	Description	Quantity	Type and model
43/A 46	111 301 255 A	Transmission carrier	1	
44/A 47	111 301 257	Bolt - Transmission carrier	2	
45/A 48	N 12 260 1	Spring washer B 20	2	
-	111 301 263 B	Bonded rubber mounting, rear	2	M 105
46/A 49	113 301 263	Bonded rubber mounting, rear	2	
47/A 50	N 10 238 7	Bolt, hex. head M 8x15	4	
-	N 11 670 1	Washer 8.1	4	
48/A 51	N 12 241 2	Spring washer B 8x15	8	
49/A 52	N 11 008 8	Nut, hex. M 8	8	
-	111 301 265	Bonded rubber mounting, front up to Chassis No. 4 173 000	1	
A 53	113 301 265 A	Bonded rubber mounting, front	1	M 9
-	311 301 265	Bonded rubber mounting, front from Chassis No. 4 173 001 up to 6 502 399 from Chassis No. 115 000 001 up to 115 999 000	1 1	M 105
-	311 301 265 A	Bonded rubber mounting, front from Chassis No. 115 000 001 up to 115 999 000	1	
50	311 301 265 B	Bonded rubber mounting, front from Chassis No. 116 000 001	1	
-	311 301 265 C	Bonded rubber mounting, front from Chassis No. 116 000 001 from Chassis No. 119 000 001	1 1	M 105 M 4/M 105
-	N 12 228 2	Spring washer B 8 up to Chassis No. 4 173 000	2	
51/A 54	N 12 242 1	Spring washer B 10x18 from Chassis No. 4 173 001 up to 111 3200 000	2	



Key No.	Part No.	Description	Quantity	Type and model
-	N 12 230 2	Spring washer B 10 ..... from Chassis No. 112 2000 001	2	
-	N 11 008 8	Nut, hex. M 8 ..... up to Chassis No. 4 173 000	2	
52/A 55	N 11 134 2	Nut, hex. M 10 ..... from Chassis No. 4 173 001	2	
A 56	001 301 285	Seal under lock plate ..... from Chassis No. 119 1041 942 up to 111 3200 000	2	M 9
A 57	001 301 287	Packing - Lock plate ..... from Chassis No. 119 1041 942 up to 111 3200 000	2	M 9
53	111 301 289 B	Gasket between gearshift housing and frame ....	1	
54	311 301 343	Rubber bush ..... from Chassis No. 4 173 001 up to 115 999 000	1	
-	001 301 517	Clip - Clamping nut ..... up to Chassis No. 119 1200 000	1	M 9
55	N 12 230 2	Spring washer B 10 ..... up to Chassis No. 111 3200 000	2	
56	N 11 010 4	Nut, hex. M 10 ..... up to Chassis No. 111 3200 000	2	
57	113 141 711	Bush right - Operating shaft ..... up to Chassis No. 111 3200 000	1	
-	113 141 711 A	Bush, right - Operating shaft ..... from Chassis No. 112 2000 001	1	
A 58	001 199 101	Bolt M 10×160 - Engine mounting .....	1	M 9
-	001 199 103	Bolt M 10×123 - Engine mounting ..... up to Chassis No. 110 3100 000	1	M 9
A 59	N 10 494 2	Bolt, hex. head BM 10×125 - Engine mounting ... from Chassis No. 111 2000 001	1	M 9

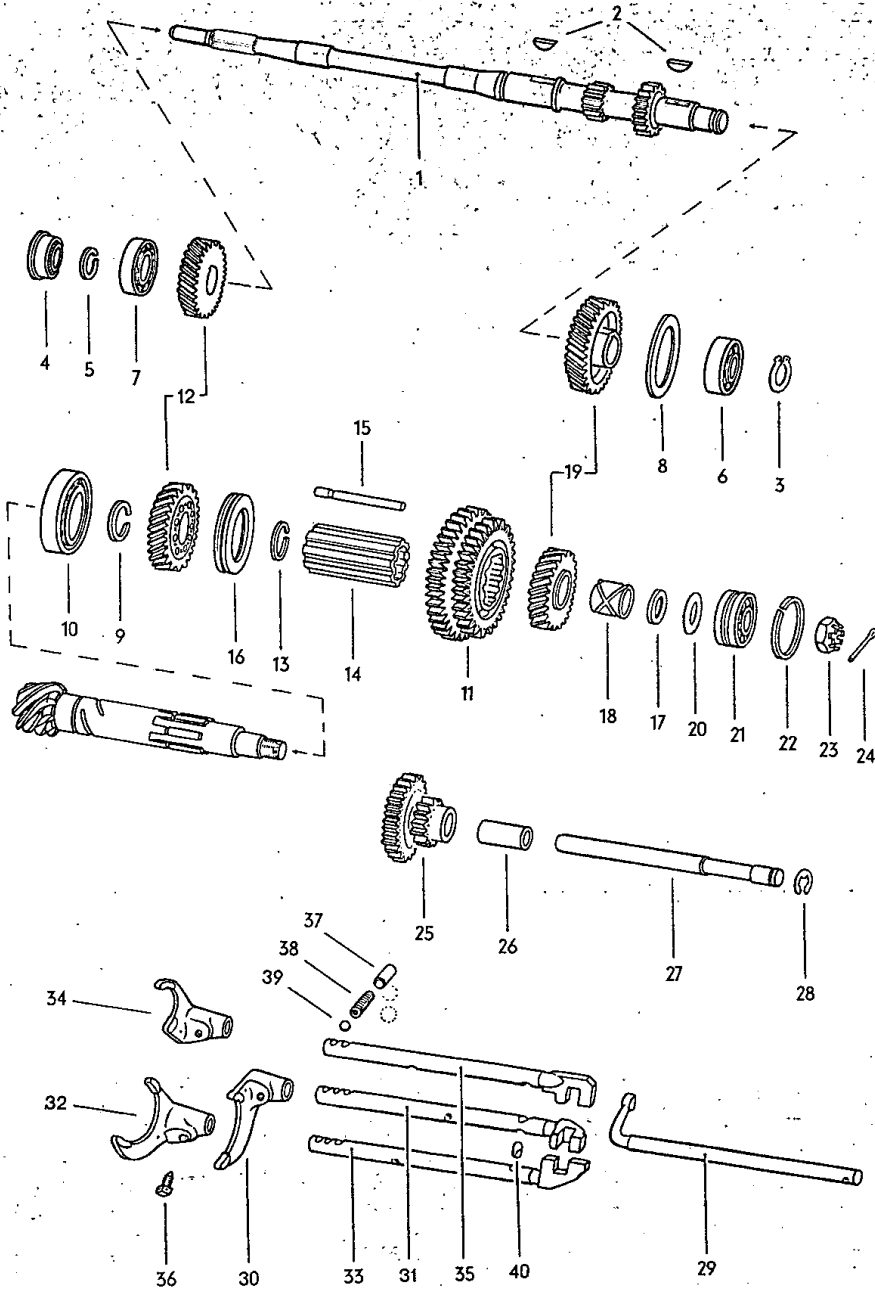
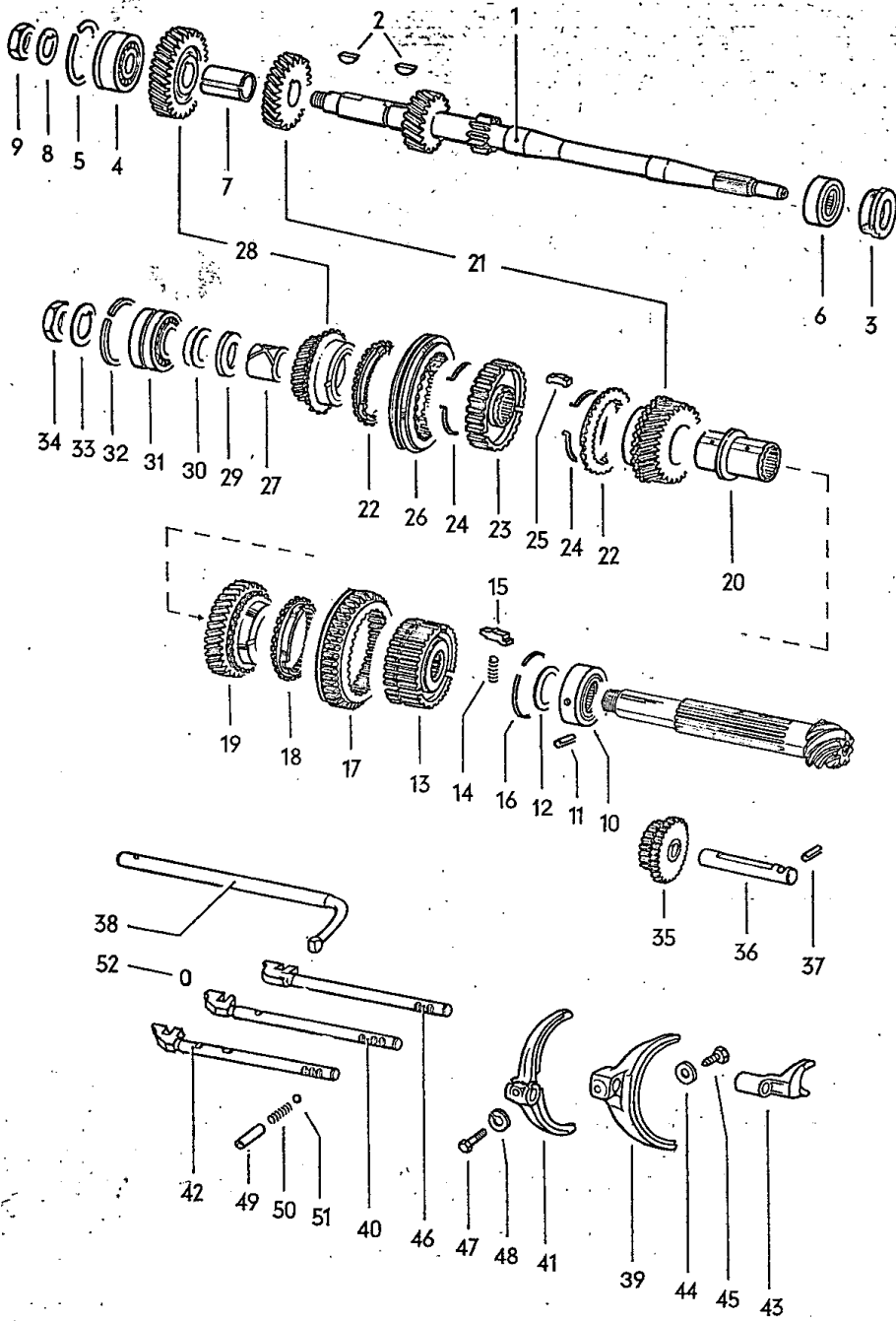


Illustration 20

Key No.	Part No.	Description	Quantity	Type and model
<b>GEARS, SHAFTS</b> (non-synchromesh transmission)				
up to Chassis No. 1 - 397 022				111-118, 151, 152
from Chassis No. 1 - 397 023 up to 115 247 528				111, 112, 115, 116
1	111 307 101	Main drive shaft .....	1	
2	N 12 707 1	Woodruff key 5X7.5 .....	2	
3	N 12 420 1	Lockring 20X1.2 .....	1	
4	*111 307 113 C	Oil seal - Main drive shaft .....	1	
		up to Chassis No. 110 21200 000		
-	113 311 113 A	Oil seal - Main drive shaft .....	1	
		from Chassis No. 111 2000 001		
5	111 307 121	Lockring .....	1	
6	113 309 123 A	Ball bearing, front - Main drive shaft .....	1	
7	111 307 125	Ball bearing, rear - Main drive shaft .....	1	
8	111 307 155	Retaining ring 2.2 mm - Ball bearing, front .....	x	
(8)	111 307 157	Retaining ring 2.1 mm - Ball bearing, front .....	x	
(8)	111 307 159	Retaining ring 2.0 mm - Ball bearing, front .....	x	
9	N 27 341 1	Circlip SP 30 A for drive pinion .....	1	
10	111 307 219	Roller bearing - Drive pinion .....	1	
11	111 307 255	Sliding gear (1 <sup>st</sup> and 2 <sup>nd</sup> speed) .....	1	
12	111 307 275	Gear train (3 <sup>rd</sup> speed) .....	1	
13	111 307 291	Lockring 2.0 mm - Guide sleeve .....	x	
(13)	111 307 293	Lockring 2.4 mm - Guide sleeve .....	x	
14	111 307 295	Guidé sleeve (length 75 mm) - Drive pinion .....	1	
15	111 307 301	Engaging pin .....	9	

Key No.	Part No.	Description	Quantity	Type and model
16	111 307 303	Selector ring (3 <sup>rd</sup> and 4 <sup>th</sup> speed) .....	1	
17	111 307 309	Spacer - Guide sleeve .....	1	
18	111 307 325	Bush - 4 <sup>th</sup> speed sliding gear on drive pinion .....	1	
19	111 307 341	Gear train (4 <sup>th</sup> speed) .....	1	
20	111 307 365	Shim 0.2 mm - Drive pinion .....	x	
(20)	111 307 367	Shim 0.3 mm - Drive pinion .....	x	
(20)	111 307 369	Shim 0.15 mm - Drive pinion .....	x	
21	111 307 375	Ball bearing - Drive pinion .....	1	
22	111 307 377	Lockring - Ball bearing .....	1	
23	111 307 385	Nut, slotted - Drive pinion .....	1	
24	N 12 536 1	Cotter pin 4x30 .....	1	
25	111 307 501	Sliding gear - Reverse .....	1	
26	111 307 511	Bush - Reverse sliding gear .....	1	
27	111 307 515	Shaft - Reverse sliding gear .....	1	
-	111 307 519	Lock plate - Reverse sliding gear shaft .....	1	
28	N 12 450 1	Lock washer 15 .....	1	
(29)	111 307 541	Transmission shift lever up to Chassis No. 1 - 428 156 .....	1	
(29)	111 307 541 A	Transmission shift lever from Chassis No. 1 - 428 157 up to 2 528 667 .....	1	
29	111 307 541 B	Transmission shift lever from Chassis No. 2 528 668 .....	1	
30	111 307 551	Selector fork (1 <sup>st</sup> and 2 <sup>nd</sup> speed) .....	1	

Key No.	Part No.	Description	Quantity	Type and model
(31)	111 307 557	Selector shaft (1 <sup>st</sup> and 2 <sup>nd</sup> speed) up to Chassis No. 2 528 667	1	
31	111 307 557 A	Selector shaft (1 <sup>st</sup> and 2 <sup>nd</sup> speed) from Chassis No. 2 528 668	1	
32	111 307 561	Selector fork (3 <sup>rd</sup> and 4 <sup>th</sup> speed)	1	
(33)	111 307 567	Selector shaft (3 <sup>rd</sup> and 4 <sup>th</sup> speed) up to Chassis No. 2 528 667	1	
33	111 307 567 A	Selector shaft (3 <sup>rd</sup> and 4 <sup>th</sup> speed) from Chassis No. 2 528 668	1	
34	111 307 571	Selector fork (reverse)	1	
(35)	111 307 577	Selector shaft (reverse) up to Chassis No. 2 528 667	1	
35	111 307 577 A	Selector shaft (reverse) from Chassis No. 2 528 668	1	
36	111 711 189	Screw - Selector fork (square head)	3	
37	111 307 621	Sleeve - Detent ball	3	
38	111 307 625	Spring - Detent ball	3	
39	N 25 667 2	Ball 9 - Selector shaft	3	
40	111 307 629	Plunger - Gear lock	2	



Key No.	Part No.	Description	Quantity	Type and model
<b>GEARS, SHAFTS</b> (synchromesh transmission) from Chassis No. 1 - 397 023 up to 3 192 506			1	113, 114, 117, 118, 141-144, 151, 152
1	113 309 101 B	Main drive shaft (needle bearing) ..... from Chassis No. 1 726 006	1	
(1)	113 309 101 C	Main drive shaft ..... up to Chassis No. 1 726 005	1	
2	N 12 707 1	Woodruff key 5X7.5 .....	2	
3	*111 307 113 C 113 341 113 C	Oil seal - Main drive shaft .....	1	
-	111 307 121	Lockring - Ball bearing .....	1	
4	113 309 123 A	Ball bearing, front - Main drive shaft .....	1	
5	N 27 347 1	Circlip SP 52 A .....	1	
(6)	111 307 125	Ball bearing, rear - Main drive shaft ..... up to Chassis No. 1 726 005	1	
6	113 309 125	Needle bearing - Main drive shaft ..... from Chassis No. 1 726 006	1	
(6)	113 309 125 A	Needle bearing - Main drive shaft ..... (conversion)	1	
7	113 309 141	Spacer between 3 <sup>rd</sup> and 4 <sup>th</sup> speeds .....	1	
-	113 309 151	Lock plate - Main drive shaft 113 309 101 .....	1	
8	113 309 151 A	Lock plate - Main drive shaft 113 309 101 A/B/C ..	1	
9	113 309 153	Nut, hex. - Main drive shaft .....	1	
(10)	111 307 219	Roller bearing - Drive pinion ..... up to Chassis No. 1 726 005	1	
10	113 309 219	Needle bearing - Drive pinion ..... from Chassis No. 1 726 006	1	
(10)	113 309 219 A	Needle bearing - Drive pinion (modified version) ..	1	
(11)	113 309 223	Dowel pin - Needle bearing on drive pinion ..... from Chassis No. 1 726 006 up to 1 931 508	1	
11	113 309 223 A	Pin - Needle bearing ..... from Chassis No. 1 931 509	1	

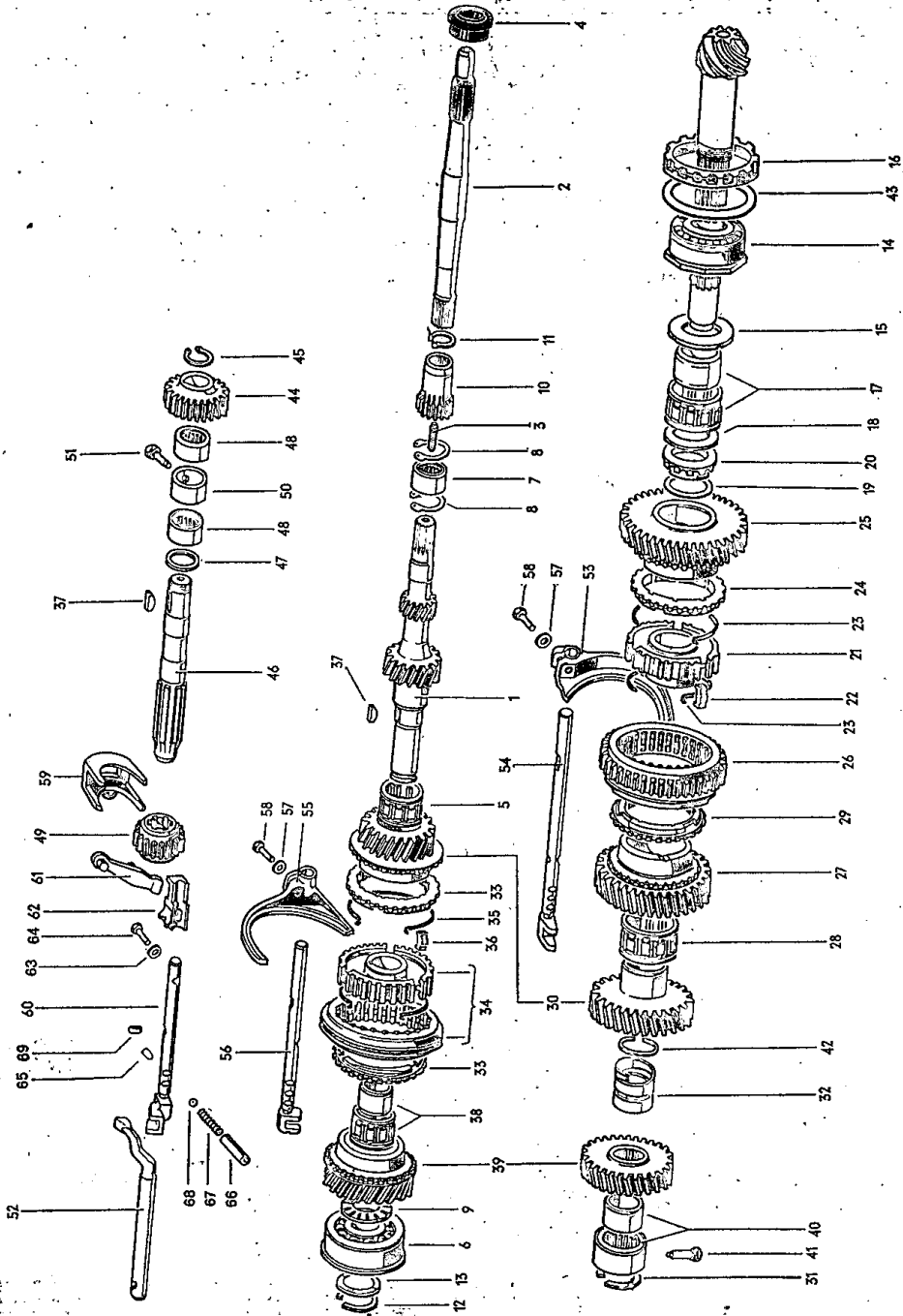
Key No.	Part No.	Description	Quantity	Type and model
12	113 309 225 A	Shim 0.1 mm, 36.5 mm O. Dia. - Clutch gear	1	X
(12)	113 309 227 A	Shim 0.15 mm, 36.5 mm O. Dia. - Clutch gear	1	X
-	113 309 231	Spacer ring (when using Part No. 113 517 141 B up to Chassis No. 1 726 005)	1	
13	113 309 233 A	Clutch gear - 2 <sup>nd</sup> speed	1	
14	113 309 237	Spring - 1 <sup>st</sup> and 2 <sup>nd</sup> speeds	3	
15	113 309 239 A	Shifting plate - 1 <sup>st</sup> and 2 <sup>nd</sup> speeds	3	
16	113 309 241	Circlip	1	
17	113 309 251	Gear (1 <sup>st</sup> speed) on drive pinion	1	
18	113 309 257	Synchronizer stop ring - 2 <sup>nd</sup> speed	1	
19	113 309 261 A	Gear (2 <sup>nd</sup> speed) on drive pinion	1	
20	113 309 265	Bearing bush for 2 <sup>nd</sup> and 3 <sup>rd</sup> speeds on drive pinion	1	
21	113 309 275 A	Gear train (3 <sup>rd</sup> speed)	1	
22	113 309 295	Synchronizer stop ring - 3 <sup>rd</sup> and 4 <sup>th</sup> speeds	2	
23	113 309 309	Clutch gear - 3 <sup>rd</sup> and 4 <sup>th</sup> speeds	1	
24	113 309 311	Snap ring - Shifting plate	2	
25	113 309 313	Shifting plate - 3 <sup>rd</sup> and 4 <sup>th</sup> speeds	3	
26	311 311 315	Operating sleeve - 3 <sup>rd</sup> and 4 <sup>th</sup> speeds	1	
27	113 309 325	Bearing bush - 4 <sup>th</sup> speed	1	
28	113 309 341 A	Gear train (4 <sup>th</sup> speed)	1	
29	113 309 361	Thrust washer - 4 <sup>th</sup> speed	1	



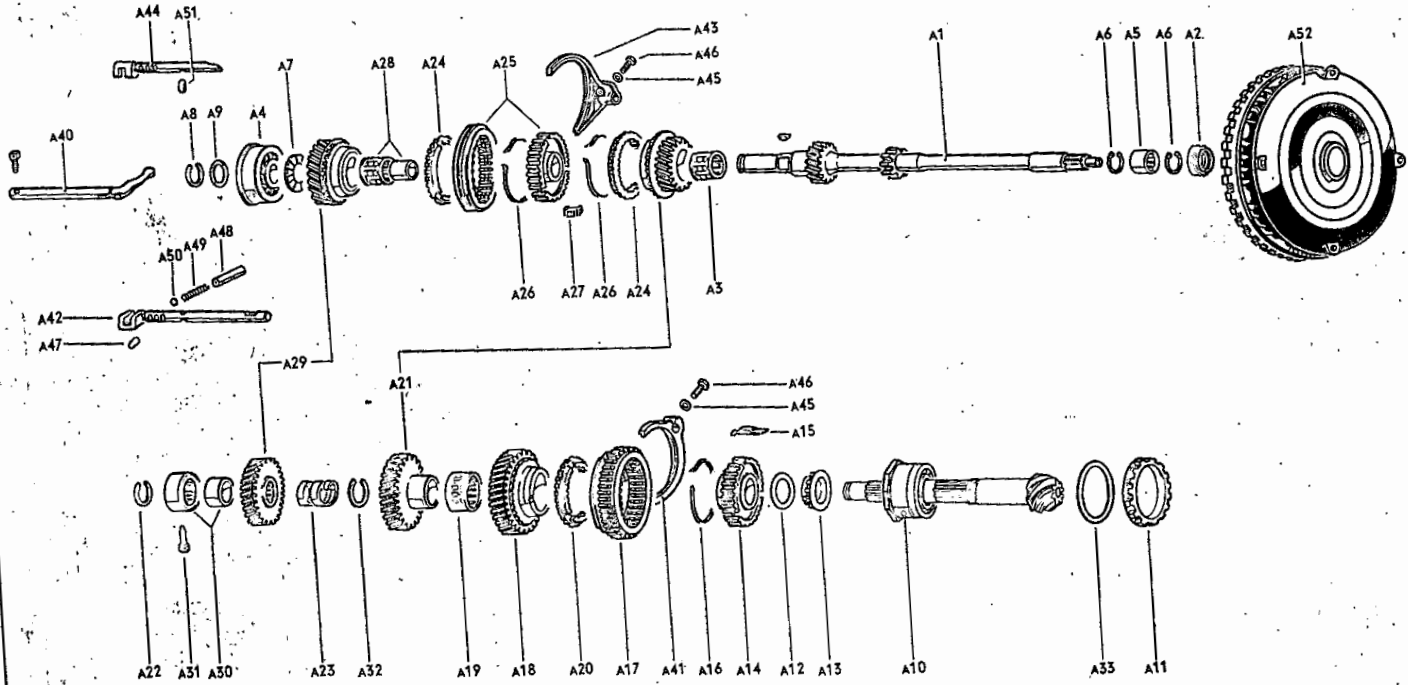
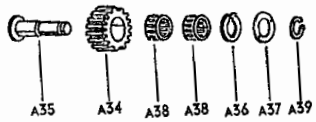
Key No.	Part No.	Description	Quantity	Type and model
30	111 307 365	Shim 0.2 mm – Drive pinion	x	
(30)	111 307 367	Shim 0.3 mm – Drive pinion	x	
(30)	111 307 369	Shim 0.15 mm – Drive pinion	x	
31	111 307 375	Ball bearing – Drive pinion	1	
32	111 307 377	Lockring – Ball bearing	1	
(33)	113 309 381	Lock plate – Drive pinion	1	
33	*113 309 381 A	Lock plate – Drive pinion	1	
34	113 309 385	Nut – Drive pinion	1	
35	113 309 501 B	Sliding gear – Reverse	1	
(36)	113 309 515 A	Shaft – Reverse sliding gear up to Chassis No. 1 726 005	1	
36	113 309 515 B	Shaft – Reverse sliding gear (transmission with needle bearing) from Chassis No. 1 726 006	1	
-	113 309 521	Lock pin – Reverse sliding gear shaft up to Chassis No. 1 726 005	1	
-	113 309 521 A	Lock pin – Reverse sliding gear shaft (transmission with needle bearing) from Chassis No. 1 726 006 up to 1 931 508	1	
37	113 309 223 A	Pin – Reverse sliding gear shaft and needle bearing from Chassis No. 1 931 509	2	
-	113 309 521 B	Lock pin – Reverse sliding gear shaft (needle bearing, modified version)	1	
(38)	111 307 541 A	Transmission shift lever up to Chassis No. 2 528 667	1	
38	111 307 541 B	Transmission shift lever from Chassis No. 2 528 668	1	
39	113 309 551	Selector fork (1 <sup>st</sup> and 2 <sup>nd</sup> speed)	1	
(40)	113 309 557	Selector shaft (1 <sup>st</sup> and 2 <sup>nd</sup> speed) up to Chassis No. 2 528 667	1	

Key No.	Part No.	Description	Quantity	Type and model
40	113 309 557 A	Selector shaft (1 <sup>st</sup> and 2 <sup>nd</sup> speed) ..... from Chassis No. 2 528 668	1	
41	113 309 561	Selector fork (3 <sup>rd</sup> and 4 <sup>th</sup> speed) ..... 1	1	
(42)	113 309 567	Selector shaft (3 <sup>rd</sup> and 4 <sup>th</sup> speed) ..... up to Chassis No. 2 528 667	1	
42	113 309 567 A	Selector shaft (3 <sup>rd</sup> and 4 <sup>th</sup> speed) ..... from Chassis No. 2 528 668	1	
43	113 309 571 A	Selector fork - Reverse gear ..... 1	1	
44	N 12 234 1	Spring washer B 7 ..... 1	1	
45	N 10 228 1	Bolt, hex. head M 7×16 ..... 1	1	
(46)	113 309 577	Selector shaft - Reverse gear ..... up to Chassis No. 2 528 667	1	
46	113 309 577 A	Selector shaft - Reverse gear ..... from Chassis No. 2 528 668	1	
47	113 309 595	Screw - Selector fork ..... 2	2	
48	N 12 228 2	Spring washer B 8 ..... 2	2	
49	111 307 621	Sleeve - Detent ball ..... 3	3	
50	111 307 625	Spring - Detent ball ..... 3	3	
51	N 25 667 2	Ball 9 - Selector shaft ..... 3	3	
52	111 307 629	Plunger - Gear lock ..... 2	2	









Key No.	Part No.	Description	Quantity	Type and model
<b>GEARS, SHAFTS, TORQUE CONVERTER</b> (fully synchronized transmission and Automatic)				
		from Chassis No. 3 192 507 up to 115 247 528		113, 114, 117, 118, 141-144, 151, 152
		from Chassis No. 115 247 529		111-118, 141-144, 151, 152
		from Chassis No. 118 071 440		M 9: 113, 114, 117, 118, 141-144, 151, 152
		from Chassis No. 119 000 001		M 9/M 87: 113, 114, 117, 118, 151, 152
		from Chassis No. 110 2000 001		M 9/M 52: 111, 112, 115, 116
-	001 301 517	Clip - Clamping nut up to Chassis No. 119 1200 000	1	M 9
1	113 311 101 B	Main drive shaft, front up to Chassis No. 111 2592 971	1	
-	113 311 101 C	Main drive shaft, front from Chassis No. 111 2592 972	1	
A 1	001 311 105	Main drive shaft up to Chassis No. 110 3100 000	1	M 9
-	001 311 105 A	Main drive shaft from Chassis No. 111 2000 001	1	M 9
2	113 311 105 A	Main drive shaft, rear	1	
3	113 311 109	Stud for main drive shaft connection	1	
A 2	001 311 113	Seal - Main drive shaft	1	M 9
4	113 311 113 A	Oil seal - Main drive shaft	1	
A 3	113 311 115 B	Needle bearing (2 <sup>nd</sup> gear) - Main drive shaft	1	M 9
5	113 311 115 B	Needle bearing (3 <sup>rd</sup> gear) - Main drive shaft	1	
6	113 311 123 A	Ball bearing - Main drive shaft (see Workshop Bulletin H 102/1968)	1	
A 4	113 311 123 A	Ball bearing - Main drive shaft	1	M 9
7/A 5	001 311 125	Needle bearing on main drive shaft from Chassis No. 110 2000 001 up to January 1972	1 1	M 9

Key No.	Part No.	Description	Quantity	Type and model
-	002 311 125 A	Needle bearing on main drive shaft ..... from Chassis No. February 1972	1	
-	113 311 125	Needle bearing - Main drive shaft ..... up to Chassis No. 119 1200 000	1	
-	001 311 127	Lock ring - Needle bearing ..... up to Chassis No. 118 450 587	2	M 9
8/A 6	001 311 127 A	Lock ring - Needle bearing ..... from Chassis No. 118 450 588 up to 119 1200 000 from Chassis No. 110 2000 001 up to January 1972	2 2	M 9
-	002 311 127 A	Lock ring - Needle bearing ..... from Chassis No. February 1972	1	
-	113 311 141	Lock bolt for needle bearing on main drive shaft up to Chassis No. 119 1200 000	1	
-	001 311 141	Screw - Clip ..... up to Chassis No. 119 1200 000 (up to Chassis No. 119 567 600 use 001 301 217)	1	M 9
A 7	113 311 151 C	Thrust washer for 3 <sup>rd</sup> gear on main drive shaft ...	1	M 9
9	113 311 151 C	Thrust washer for 4 <sup>th</sup> gear on main drive shaft ....	1	
-	113 309 381 A	Lock plate - Main drive shaft ..... up to Chassis No. 117 812 291	1	
-	113 309 385	Nut. hex. M 22×1.5 - Main drive shaft ..... up to Chassis No. 117 812 291	1	
(10)	002 311 161	Reverse gear on main drive shaft ..... up to Chassis No. 111 2592 971 use: up to Chassis No. 118 450 586 002 311 507	1	
10	113 311 161 A	Reverse gear on main drive shaft ..... from Chassis No. 111 2592 972	1	
11	N 12 419 1	Lockring 19×1.2 .....	1	
12/A 8	113 311 187	Lockring - Main drive shaft, front ..... from Chassis No. 117 812 292	1	
-	113 311 189	Spacer - Ball bearing on main drive shaft, front .. from Chassis No. 117 812 292 up to 118 261 823	1	
13/A 9	113 311 191	Concave washer - Main drive shaft, front ..... from Chassis No. 117 812 292	1	



Key No.	Part No.	Description	Quantity	Type and model
-	113 311 215	Bolt, hex. head M 10X35 - Retainer ..... up to Chassis No. 119 1200 000	4	
-	001 311 219	Double taper roller bearing - Drive pinion ..... up to Chassis No. 119 1200 000	1	M 9
14/A 10	002 311 219 A	Double taper roller bearing - Drive pinion ..... from Chassis No. 110 2000 001 up to 112 2007 783	1	
-	002 311 219 B	Double taper roller bearing - Drive pinion ..... from Chassis No. February 1972	1	
-	113 311 219 A	Double taper roller bearing - Drive pinion ..... up to Chassis No. 119 1200 000	1	
-	113 311 219 B	Double taper roller bearing - Drive pinion ..... from Chassis No. 112 2007 784 up to January 1972 from Chassis No. 112 2007 784	1 1	M 9
-	002 311 221	Washer - Bearing ..... from Chassis No. February 1972	1	
15	113 311 221 A	Thrust washer between 1 <sup>st</sup> gear and ball bearing up to Chassis No. January 1972	1	
A 11	001 311 223 B	Tensioning nut - Bearing ..... up to Chassis No. 112 2007 783	1	M 9
-	001 311 223 C	Tensioning nut - Bearing ..... from Chassis No. 112 2007 784	1	M 9
16	002 311 223	Tensioning nut - Bearing ..... from Chassis No. 110.2000 001 up to 112 2007 783	1	
-	002 311 223 A	Tensioning nut - Bearing ..... from Chassis No. 112 2007 784	1	
-	113 311 223 B	Retainer for ball bearing ..... up to Chassis No. 119 1200 000	1	
-	*113 311 225	Lock plate - Retainer ..... up to Chassis No. 118 680 968	2	
-	N 12 242 1	Spring washer B 10X18 ..... from Chassis No. 118 258 723 up to 119 1200 000	4	
17	113 311 227 B	Needle bearing (1 <sup>st</sup> gear) - Drive pinion ..... up to Chassis No. 119 1200 000	1	
18	113 311 229	Thrust washer between needle bearing ..... and round nut up to Chassis No. 117 999 000	1	

Key No.	Part No.	Description	Quantity	Type and model
19	113 311 230	Shim 0.45 mm - Clutch gear ..... (1 <sup>st</sup> speed) from Chassis No. 116 114 583	x	
-	113 311 231	Shim 0.10 mm - Clutch gear ..... (1 <sup>st</sup> speed) up to Chassis No. 116 114 582	x	
-	113 311 231 A	Shim 0.50 mm - Clutch gear ..... (1 <sup>st</sup> speed) from Chassis No. 116 114 583	x	
-	113 311 232	Shim 0.15 mm - Clutch gear ..... (1 <sup>st</sup> speed) up to Chassis No. 116 114 582	x	
-	113 311 232 A	Shim 0.55 mm - Clutch gear ..... (1 <sup>st</sup> speed) from Chassis No. 116 114 583 up to 117 999 000	x	
A 12	113 311 232 B	Shim 0.55 mm - Clutch gear ..... (1 <sup>st</sup> speed) from Chassis No. 118 000 001	x	
-	113 311 233	Shim 0.20 mm - Clutch gear ..... (1 <sup>st</sup> speed) up to Chassis No. 116 114 582	x	
-	113 311 233 A	Shim 0.60 mm - Clutch gear ..... (1 <sup>st</sup> speed) from Chassis No. 116 114 583 up to 117 999 000	x	
-	113 311 233 B	Shim 0.60 mm - Clutch gear ..... (1 <sup>st</sup> speed) from Chassis No. 118 000 001	x	
-	113 311 234	Shim 0.25 mm - Clutch gear ..... (1 <sup>st</sup> speed) up to Chassis No. 116 114 582	x	
-	113 311 234 A	Shim 0.65 mm - Clutch gear ..... (1 <sup>st</sup> speed) from Chassis No. 116 114 583 up to 117 999 000	x	
-	113 311 234 B	Shim 0.65 mm - Clutch gear ..... (1 <sup>st</sup> speed) from Chassis No. 118 000 001	x	
-	113 311 235	Shim 0.30 mm - Clutch gear ..... (1 <sup>st</sup> speed) up to Chassis No. 116 114 582	x	
-	113 311 235 A	Shim 0.70 mm - Clutch gear ..... (1 <sup>st</sup> speed) from Chassis No. 116 114 583 up to 117 999 000	x	
-	113 311 235 B	Shim 0.70 mm - Clutch gear ..... (1 <sup>st</sup> speed) from Chassis No. 118 000 001	x	

Key No.	Part No.	Description	Quantity	Type and model
-	113 311 236	Shim 0.40 mm - Clutch gear ..... (1 <sup>st</sup> speed) up to Chassis No. 116 114 582	X	
-	113 311 236 A	Shim 0.80 mm - Clutch gear ..... (1 <sup>st</sup> speed) from Chassis No. 116 114 583 up to 117 999 000	X	
-	113 311 236 B	Shim 0.80 mm - Clutch gear ..... (1 <sup>st</sup> speed) from Chassis No. 118 000 001	X	
-	113 311 237	Round nut - Drive pinion ..... up to Chassis No. 117 999 000	1	
20/A 13	113 311 237 A	Round nut - Drive pinion ..... from Chassis No. 118 000 001	1	
-	113 311 238	Shim 0.75 mm - Clutch gear ..... (1 <sup>st</sup> speed) from Chassis No. 116 114 583 up to 117 999 000	X	
-	113 311 238 A	Shim 0.75 mm - Clutch gear ..... (1 <sup>st</sup> speed) from Chassis No. 118 000 001	X	
-	113 311 239	Shim 0.85 mm - Clutch gear ..... (1 <sup>st</sup> speed) from Chassis No. 116 114 583 up to 117 999 000	X	
-	113 311 239 A	Shim 0.85 mm - Clutch gear ..... (1 <sup>st</sup> speed) from Chassis No. 118 000 001	X	
A 14	001 311 241	Clutch gear - 1 <sup>st</sup> speed and reverse gear .....	1	M 9
-	113 311 243	Clutch gear - 1 <sup>st</sup> and 2 <sup>nd</sup> speeds ..... up to Chassis No. 116 114 582	1	
21	113 311 243 B	Clutch gear - 1 <sup>st</sup> and 2 <sup>nd</sup> speeds ..... from Chassis No. 116 114 583	1	
A 15	001 311 245	Shifting plate - 1 <sup>st</sup> speed and reverse gear .....	3	M 9
22	113 311 245	Shifting plate - 1 <sup>st</sup> and 2 <sup>nd</sup> gears ..... from Chassis No. 116 114 583	3	
-	113 309 313	Shifting plate - 1 <sup>st</sup> and 2 <sup>nd</sup> gears ..... up to Chassis No. 116 114 582	3	
-	113 309 311	Snap ring - Shifting plate ..... up to Chassis No. 116 114 582	2	

Key No.	Part No.	Description	Quantity	Type and model
23/A 16	004 311 311	Snap ring - Shifting plate ..... from Chassis No. 116 114 583	2	
-	113 311 247	Synchronizer stop ring - 1 <sup>st</sup> speed ..... (3 mm shoulder) up to Chassis No. 4 274 400	1	
24	113 311 247 A	Synchronizer stop ring - 1 <sup>st</sup> speed ..... (5 mm shoulder) from Chassis No. 4 274 401 up to 116 114 582	1	
-	113 311 247 C	Synchronizer stop ring - 1 <sup>st</sup> speed ..... from Chassis No. 116 114 583	1	
-	113 311 251 A	Gear (1 <sup>st</sup> speed) on drive pinion ..... up to Chassis No. 116 114 582	1	
25	113 311 251 C	Gear (1 <sup>st</sup> speed) on drive pinion ..... from Chassis No. 116 114 563	1	
A 17	001 311 255 A	Operating sleeve - 1 <sup>st</sup> speed and reverse gear .. use: up to Chassis No. 111 2502 108 113 311 269 B	1	M 9
26	113 311 255 B	Operating sleeve - 1 <sup>st</sup> and 2 <sup>nd</sup> speeds ..... up to Chassis No. January 1972 use: up to Chassis No. 117 540 780; 113 311 531 B up to Chassis No. 111 2502 108; 113 311 269 B, 113 311 247 C	1	
(26)	113 311 255 C	Operating sleeve - 1 <sup>st</sup> and 2 <sup>nd</sup> speeds ..... from Chassis No. February 1972	1	
-	113 311 261	Gear (2 <sup>nd</sup> speed) on drive pinion ..... up to Chassis No. 116 114 582	1	
A 18	113 311 261 A	Gear (1 <sup>st</sup> speed) on drive pinion ..... up to Chassis No. 110 3100 000	1	M 9
-	001 311 261	Gear (1 <sup>st</sup> speed) on drive pinion ..... from Chassis No. 111 2000 001	1	M 9
27	113 311 261 A	Gear (2 <sup>nd</sup> speed) on drive pinion ..... from Chassis No. 116 114 583	1	
A 19	113 311 265 B	Needle bearing (1 <sup>st</sup> speed) on drive pinion .....	1	M 9
28	113 311 265 B	Needle bearing (2 <sup>nd</sup> gear) on drive pinion .....	1	

Key No.	Part No.	Description	Quantity	Type and model
29	113 311 269 B	Synchronizer stop ring – 2 <sup>nd</sup> speed use: up to Chassis No. 111 2502 108; 113 311 255 B	1	
A 20	113 311 269 B	Synchronizer stop ring (1 <sup>st</sup> speed) use: up to Chassis No. 111 2502 108; 001 311 255 A	1	M 9
-	113 311 271 A	Spacer sleeve for drive pinion up to Chassis No. 118 258 722	1	
A 21	113 311 275 C	Gear train (2 <sup>nd</sup> speed)	1	M 9
30	113 311 275 C	Gear train (3 <sup>rd</sup> speed)	1	
-	113 311 281	Concave washer between 3 <sup>rd</sup> and 4 <sup>th</sup> gears on drive pinion up to Chassis No. 118 258 722	1	
A 22	113 311 287	Lockring – Drive pinion	1	M 9
31	113 311 287	Lockring (4 <sup>th</sup> speed) on drive pinion from Chassis No. 118 258 723	1	
A 23	113 311 289	Spacer spring	1	M 9
32	113 311 289	Spacer spring (3 <sup>rd</sup> speed) from Chassis No. 118 258 723	1	
-	113 311 295	Synchronizer stop ring – 3 <sup>rd</sup> and 4 <sup>th</sup> speeds (3 mm shoulder) up to Chassis No. 4 274 400	2	
33	113 311 295 D	Synchronizer stop ring – 3 <sup>rd</sup> and 4 <sup>th</sup> speeds from Chassis No. 4 274 401 use: up to Chassis No. 111 2502 108 113 311 315 A	2	
A 24	113 311 295 D	Synchronizer stop ring – 2 <sup>nd</sup> and 3 <sup>rd</sup> speeds use: up to Chassis No. 111 2502 108 113 311 315 A	2	M 9
34	113 311 309	Clutch gear – 3 <sup>rd</sup> and 4 <sup>th</sup> speeds use: up to Chassis No. 111 2502 108 2 × 113 311 295 D/113 311 315 A	1	
A 25	113 311 309	Clutch gear – 2 <sup>nd</sup> and 3 <sup>rd</sup> speeds use: up to Chassis No. 111 2502 108 2 × 113 311 295 D/113 311 315 A	1	M 9
35/A 26	113 309 311	Snap ring – Shifting plate	2	

Typ 1-9

Illustration 22 + A 22

Key No.	Part No.	Description	Quantity	Type and model
A 27	113 309 313	Shifting plate – 2 <sup>nd</sup> and 3 <sup>rd</sup> speeds	3	M 9
36	113 309 313	Shifting plate – 3 <sup>rd</sup> and 4 <sup>th</sup> gears	3	
-	002 311 315	Operating sleeve – 3 <sup>rd</sup> and 4 <sup>th</sup> speeds from Chassis No. February 1972	1	
-	002 311 315	Operating sleeve – 2 <sup>nd</sup> and 3 <sup>rd</sup> speeds from Chassis No. February 1972	1	M 9
-	113 311 315 A	Operating sleeve – 3 <sup>rd</sup> and 4 <sup>th</sup> speeds up to Chassis No. January 1972 use: up to Chassis No. 111 2502 108 2 × 113 311 295 D	1	
-	113 311 315 A	Operating sleeve – 2 <sup>nd</sup> and 3 <sup>rd</sup> speeds up to Chassis No. January 1972 use: up to Chassis No. 111 2502 108 2 × 113 311 295 D	1	M 9
37	113 311 321	Woodruff key 5×7.5	x	
-	113 311 323	Woodruff key 5.03×7.5	x	
A 28	113 311 325 B	Needle bearing (3 <sup>rd</sup> gear) – Main drive shaft	1	M 9
38	113 311 325 B	Needle bearing (4 <sup>th</sup> gear) – Main drive shaft	1	
-	113 311 341	Gear train (4 <sup>th</sup> speed) up to Chassis No. 118 258 722	1	
A 29	113 311 341 B	Gear train (3 <sup>rd</sup> speed)	1	M 9
39	113 311 341 B	Gear train (4 <sup>th</sup> speed) from Chassis No. 118 258 723	1	
-	113 311 361	Shim 0.15 mm – Concave washer up to Chassis No. 118 258 722	x	
-	113 311 362	Shim 0.20 mm – Concave washer up to Chassis No. 118 258 722	x	
-	113 311 363	Shim 0.25 mm – Concave washer up to Chassis No. 118 258 722	x	
-	113 311 364	Shim 0.30 mm – Concave washer up to Chassis No. 118 258 722	x	

Key No.	Part No.	Description	Quantity	Type and model
-	113 311 365	Shim 0.40 mm - Concave washer up to Chassis No. 118 258 722	x	
-	113 311 366	Shim 0.60 mm - Concave washer up to Chassis No. 118 258 722	x	
-	113 311 367	Shim 0.80 mm - Concave washer up to Chassis No. 118 258 722	x	
-	113 311 368	Shim 1.00 mm - Concave washer up to Chassis No. 118 258 722	x	
-	113 311 369	Shim 1.20 mm - Concave washer up to Chassis No. 118 258 722	x	
-	113 311 375	Needle bearing - Drive pinion up to Chassis No. 118 258 722	1	
40/A 30	113 311 375 A	Needle bearing - Drive pinion from Chassis No. 118 258 723	1	
41/A 31	113 311 141	Lock bolt for needle bearing on drive pinion from Chassis No. 3 478 069	1	
-	113 311 379	Lock bolt for needle bearing on drive pinion up to Chassis No. 4 245 397	1	
A 32	113 311 381	Lockring 1.45 mm - 2 <sup>nd</sup> speed (platin)	x	M 9
42	113 311 381	Lockring 1.45 mm - 3 <sup>rd</sup> speed from Chassis No. 118 258 723	x	
-	113 311 382	Lockring 1.60 mm - 2 <sup>nd</sup> speed (black)	x	M 9
-	113 311 382	Lockring 1.60 mm - 3 <sup>rd</sup> speed from Chassis No. 118 258 723	x	
-	113 311 383	Lockring 1.75 mm - 2 <sup>nd</sup> speed (blue)	x	M 9
-	113 311 383	Lockring 1.75 mm - 3 <sup>rd</sup> speed from Chassis No. 118 258 723	x	
-	113 311 384	Lockring 1.90 mm - 2 <sup>nd</sup> speed (brown)	x	M 9
-	113 311 384	Lockring 1.90 mm - 3 <sup>rd</sup> speed from Chassis No. 118 258 723	x	
-	113 311 385	Lockring 2.05 mm - 2 <sup>nd</sup> speed (grey)	x	M 9
-	113 311 385	Lockring 2.05 mm - 3 <sup>rd</sup> speed from Chassis No. 118 258 723	x	

Key No.	Part No.	Description	Quantity	Type and model
-	113 311 386	Lockring 2.20 mm - 2 <sup>nd</sup> speed (copper)	x	M 9
-	113 311 386	Lockring 2.20 mm - 3 <sup>rd</sup> speed from Chassis No. 118 258 723	x	
-	113 309 381 A	Lock plate - Drive pinion up to Chassis No. 118 258 722	1	
-	113 309 385	Nut - Drive pinion up to Chassis No. 118 258 722	1	
43/A 33	001 311 391	Shim 0.15 mm - Drive pinion up to Chassis No. 119 1200 000 from Chassis No. 110 2000 001	x x	M 9
-	113 311 391	Shim 0.15 mm for drive pinion up to Chassis No. 119 1200 000	x	
-	001 311 392	Shim 0.20 mm - Drive pinion up to Chassis No. 119 1200 000 from Chassis No. 110 2000 001	x x	M 9
-	113 311 392	Shim 0.20 mm for drive pinion up to Chassis No. 119 1200 000	x	
-	001 311 393	Shim 0.30 mm - Drive pinion up to Chassis No. 119 1200 000 from Chassis No. 110 2000 001	x x	M 9
-	113 311 393	Shim 0.30 mm for drive pinion up to Chassis No. 119 1200 000	x	
-	001 311 394	Shim 0.40 mm - Drive pinion up to Chassis No. 119 1200 000 from Chassis No. 110 2000 001	x x	M 9
-	113 311 394	Shim 0.40 mm for drive pinion up to Chassis No. 119 1200 000	x	
-	001 311 395	Shim 0.50 mm - Drive pinion up to Chassis No. 119 1200 000 from Chassis No. 110 2000 001	x x	M 9
-	113 311 395	Shim 0.50 mm for drive pinion up to Chassis No. 119 1200 000	x	
-	001 311 396	Shim 0.60 mm - Drive pinion up to Chassis No. 119 1200 000 from Chassis No. 110 2000 001	x x	M 9



Key No.	Part No.	Description	Quantity	Type and model
-	113 311 396	Shim 0.60 mm for drive pinion up to Chassis No. 119 1200 000	x	
-	001 311 397	Shim 0.70 mm - Drive pinion up to Chassis No. 119 1200 000 from Chassis No. 110 2000 001	x x	M 9
-	113 311 397	Shim 0.70 mm for drive pinion up to Chassis No. 119 1200 000	x	
-	001 311 398	Shim 0.80 mm - Drive pinion up to Chassis No. 119 1200 000 from Chassis No. 110 2000 001	x x	M 9
-	113 311 398	Shim 0.80 mm for drive pinion up to Chassis No. 119 1200 000	x	
-	001 311 399	Shim 0.90 mm - Drive pinion up to Chassis No. 119 1200 000 from Chassis No. 110 2000 001	x x	M 9
-	113 311 400	Shim 1.00 mm for drive pinion up to Chassis No. 119 1200 000	x	
-	113 311 401	Shim 1.20 mm for drive pinion up to Chassis No. 119 1200 000	x	
A 34	001 311 507	Intermediate gear	1	M 9
44	002 311 507	Reverse drive gear up to Chassis No. January 1972 use: up to Chassis No. 118 450 586; 002 311 161	1	
(44)	113 311 507 A	Reverse drive gear from Chassis No. February 1972	1	
45	N 12 419 1	Lockring 19x1.2 up to Chassis No. January 1972	1	
(45)	N 12 417-1	Lockring 17x1 from Chassis No. February 1972	1	
(A 35)	001 311 513	Reverse gear shaft with needle bearing on inter- mediate gear from Chassis No. 112 2032 963	1	M 9
A 35	001 311 515	Reverse gear shaft up to Chassis No. 112 2032 962	1	M 9
(46)	113 311 515 B	Reverse gear shaft from Chassis No. February 1972	1	

Key No.	Part No.	Description	Quantity	Type and model
66	211 311 515	Reverse gear shaft ..... up to Chassis No. January 1972	1	
A 36	001 311 517	Thrust washer - Reverse gear .....	1	M 9
47	113 311 517	Thrust washer for reverse gear shaft .....	1	
A 37	001 311 519	Concave washer .....	1	M 9
-	113 311 519	Concave washer - Reverse gear shaft ..... from Chassis No. February 1972	1	
A 38	001 311 523	Needle bearing - Reverse gear ..... up to Chassis No. 112 2032 962	2	M 9
A 39	N 12 416 1	Lockring 16X1 ..... up to Chassis No. January 1972	1	M 9
-	002 311 523 A	Needle bearing - Reverse gear shaft ..... from Chassis No. February 1972	1	
48	113 311 523	Needle bearing for reverse gear shaft ..... up to Chassis No. January 1972	2	
-	113 311 523 B	Needle bearing - Reverse gear shaft (oversize) .. from Chassis No. 3 192 507 up to January 1972	x	
-	113 311 527	Lockring - Reverse gear shaft ..... from Chassis No. February 1972	2	
49	113 311 531 B	Reverse sliding gear ..... up to Chassis No. January 1972 use: up to Chassis No. 117 540 780 113 311 255 B	1	
-	113 311 531 C	Reverse sliding gear ..... from Chassis No. February 1972	1	
50	113 311 537	Spacer sleeve for reverse gear shaft .....	1	
51	113 311 141	Lock bolt - Spacer sleeve .....	1	
A 40	001 311 541	Transmission shift lever .....	1	M 9
52	113 311 541 A	Transmission shift lever .....	1	

Key No.	Part No.	Description	Quantity	Type and model
-	113 311 541 C	Transmission shift lever ..... from Chassis No. January 1972	1	M 185: 113, 117, 151
A 41	001 311 551	Selector fork for 1 <sup>st</sup> and reverse gear ..... 1	1	M 9
(53)	113 311 551 A	Selector fork (1 <sup>st</sup> and 2 <sup>nd</sup> speed) ..... from Chassis No. February 1972	1	
53	113 311 551 C	Selector fork (1 <sup>st</sup> and 2 <sup>nd</sup> speed) ..... up to Chassis No. January 1972	1	
A 42	001 311 557	Selector shaft for 1 <sup>st</sup> and reverse gear ..... 1	1	M 9
54	113 311 557 B	Selector shaft (1 <sup>st</sup> and 2 <sup>nd</sup> speed) ..... use: up to Chassis No. 117 422 226 113 311 255 B/531 B	1	
A 43	113 311 561	Selector fork for 2 <sup>nd</sup> and 3 <sup>rd</sup> speeds ..... 1	1	M 9
55	113 311 561	Selector fork (3 <sup>rd</sup> and 4 <sup>th</sup> speed) ..... up to Chassis No. January 1972	1	
(55)	113 311 561 A	Selector fork (3 <sup>rd</sup> and 4 <sup>th</sup> speed) ..... from Chassis No. February 1972	1	
A 44	001 311 567	Selector shaft for 2 <sup>nd</sup> and 3 <sup>rd</sup> speeds ..... up to Chassis No. 111 2495 873	1	M 9
-	001 311 567 A	Selector shaft for 2 <sup>nd</sup> and 3 <sup>rd</sup> speeds ..... from Chassis No. 111 2495 874	1	M 9
56	113 311 567	Selector shaft (3 <sup>rd</sup> and 4 <sup>th</sup> speed) ..... 1	1	
57/A 45	N 12 241 2	Spring washer B 8×15 ..... 2	2	
58/A 46	113 309 595	Screw - Selector fork ..... 2	2	
-	004 311 571 A	Selector segment - Reverse gear ..... from Chassis No. February 1972	1	
59	113 311 571	Selector fork (reverse) ..... up to Chassis No. January 1972	1	
60	113 311 577	Selector shaft (reverse) ..... 1	1	

Key Mb.	Part No.	Description	Quantity	Type and model
25	DIN b.h.p. = 30 SAE, 30=36, 34=41.5, 37=47, 40=49/50, 44=52/53, 46=55, 47=57, 48=58, 50=60			
61	113 311 581 A	Reverse lever for reverse gear ..... up to Chassis No. January 1972	1	
	113 311 581 B	Reverse lever for reverse gear ..... from Chassis No. February 1972	1	
62	113 311 585	Guide for reverse lever .....	1	
63	N 12 234 1	Spring washer B 7 .....	1	
64	N 10 277 1	Bolt, hex. head M 7x22 .....	1	
65/A 47	113 311 599	Retaining plug - Detent ball .....	3	
A 48	111 307 621	Sleeve - Detent ball .....	2	M 9
66	111 307 621	Sleeve - Detent ball .....	3	
A 49	111 307 625	Spring - Detent ball .....	2	M 9
	111 307 625	Spring - Detent ball .....	3	
50	N 25 667 2	Ball - Selector shaft .....	2	M 9
	N 25 667 2	Ball - Selector shaft .....	3	
51	111 307 629	Plunger - Gear lock .....	1	M 9
69	111 307 629	Plunger - Gear lock .....	2	
A 52	001 323 571 B	Torque converter ..... up to Chassis No. 110 3100 000 from Chassis No. 111 2000 001 use: up to Chassis No. 111 2385 383 001 301 083 A/085 A	1 1	M 9 M 9: 46-, 48-, 50 b.h.p.
	001 323 573	Torque converter ..... from Chassis No. 111 2000 001	1	M 9: 40-, 44 b.h.p.
	001 323 611 A	Bush - Torque converter .....	1	M 9

Part No.	Description	Quantity
<b>REPAIR KITS</b>		
<b>111 398 003</b>	<b>1 set of gaskets for synchromesh transmission</b>	
	comprising:	
113 301 215	Gasket 0.1 mm – Gearshift housing .....	1
113 301 217	Gasket 0.15 mm – Gearshift housing .....	1
113 301 219	Gasket 0.2 mm – Gearshift housing .....	1
113 301 235	Gasket 0.1 mm between transmission and gearshift housing .....	1
113 301 237	Gasket 0.2 mm between transmission and gearshift housing .....	1
113 301 239	Gasket 0.3 mm between transmission and gearshift housing .....	1
111 501 131	Gasket 0.2 mm – Axle tube retainer .....	6
111 501 133	Gasket 0.1 mm – Axle tube retainer .....	4
111 501 291	Gasket – Bearing cover .....	2
111 501 296	Gasket between spacer and rear wheel bearing .....	2
<b>111 398 005</b>	<b>1 set of gaskets for fully synchronized transmission</b>	
	comprising:	
113 301 185	Gasket – Final drive cover .....	2
113 301 185 A	Sealing ring – Final drive cover .....	2
113 301 191	Gasket – Gear carrier .....	1
211 301 215	Gasket – Gearshift housing .....	1
111 307 113 C	Oil seal – Main drive shaft .....	1
113 309 381 A	Lock plate – Main drive shaft and drive pinion .....	1
113 311 225	Lock plate – Retainer .....	1
111 501 131	Gasket 0.2 mm – Rear axle tube retainer .....	2
111 501 133	Gasket 0.1 mm – Rear axle tube retainer .....	2
N 12 419 1	Lockring – Main drive shaft and reverse gear .....	2

